



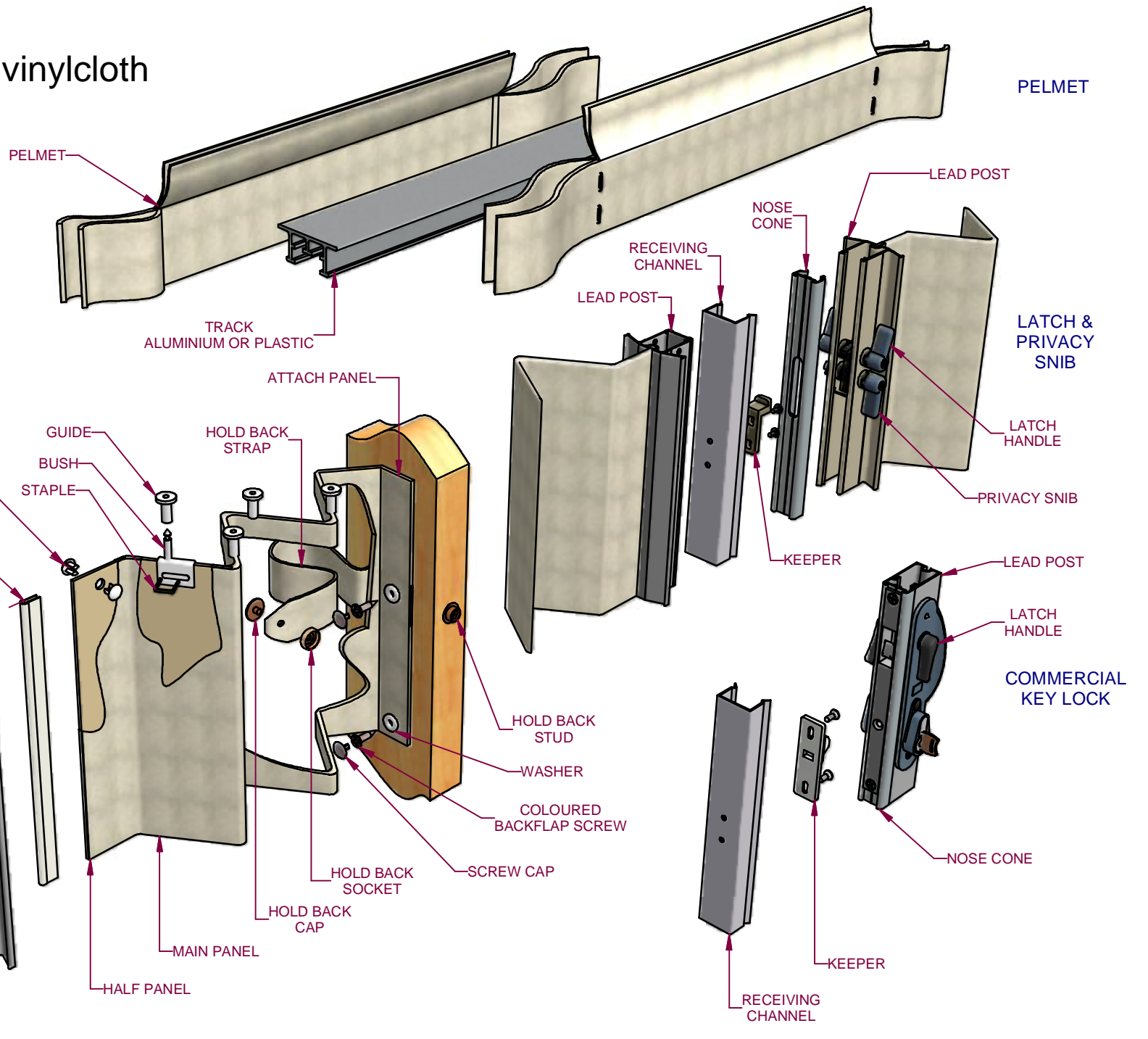
Vinylcloth



Index of Vinylcloth

Drawing Number	DESCRIPTION
	Exploded View of Vinylcloth - Colour
FV-0601	Door Assembly
FV-0602	Headwork Option - Surface Mounted Track
FV-0603	Plan Views Sheet 1 of 2
FV-0604	Plan Views Sheet 2 of 2
FV-0605	Commercial Keylock
	Exploded View of Vinylcloth - Monochrome

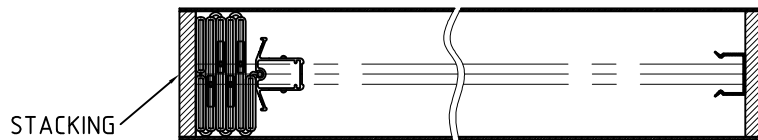
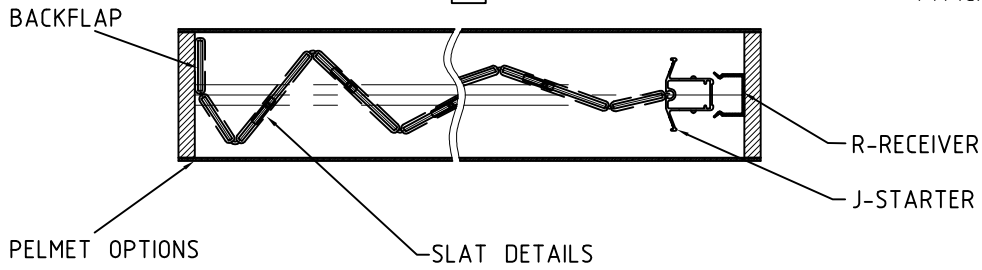
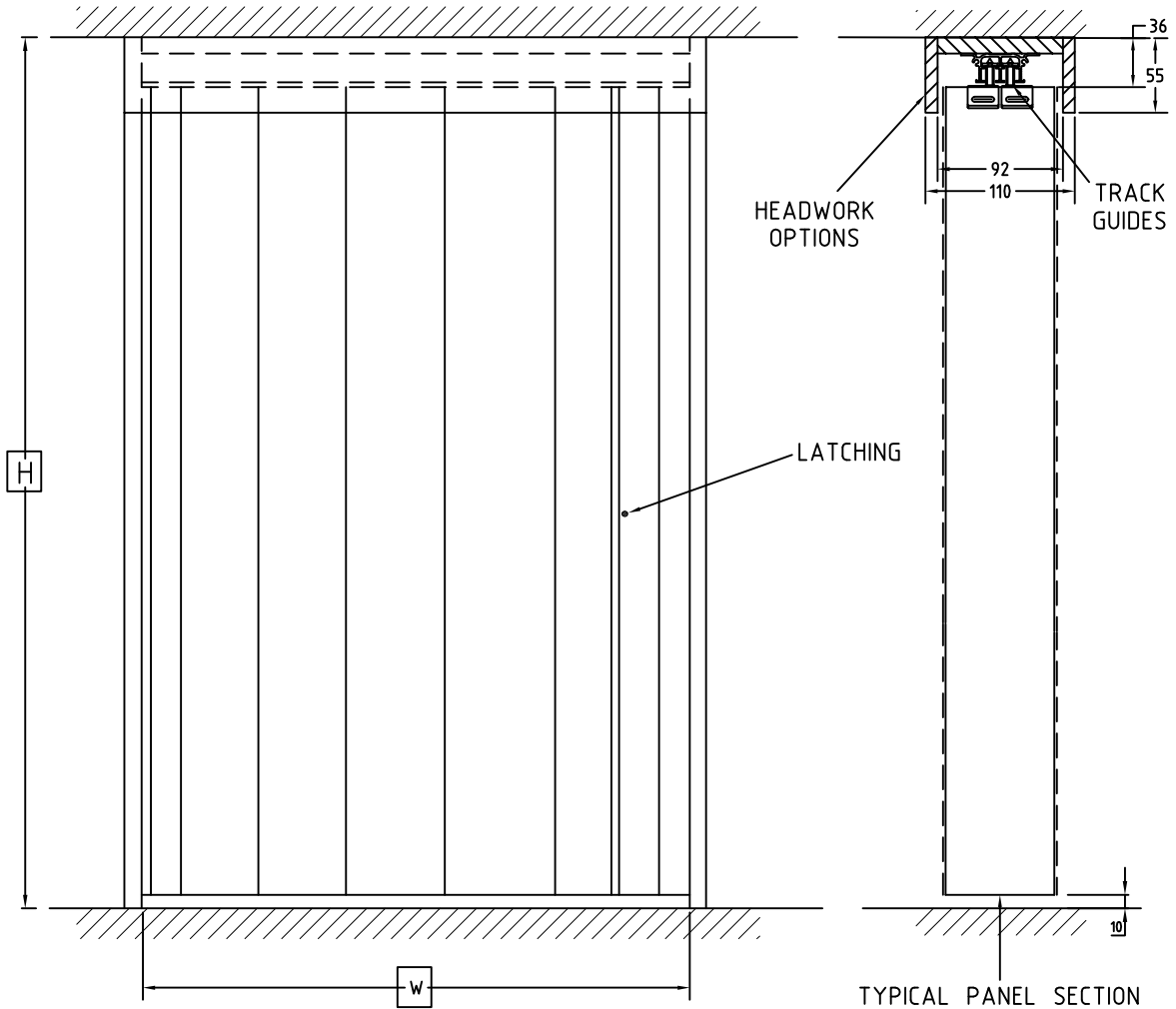
# LOTUS vinylcloth



glas-STAX

operable walls

folding doors



REV	REVISION REMARKS	DATE

TITLE: DOOR ASSEMBLY

PRODUCT: FOLDING DOORS

DRAWING NUMBER: FV-0601

SEQUENCE NUMBER: 1

**LOTUS**  
www.lotusdoors.com.au

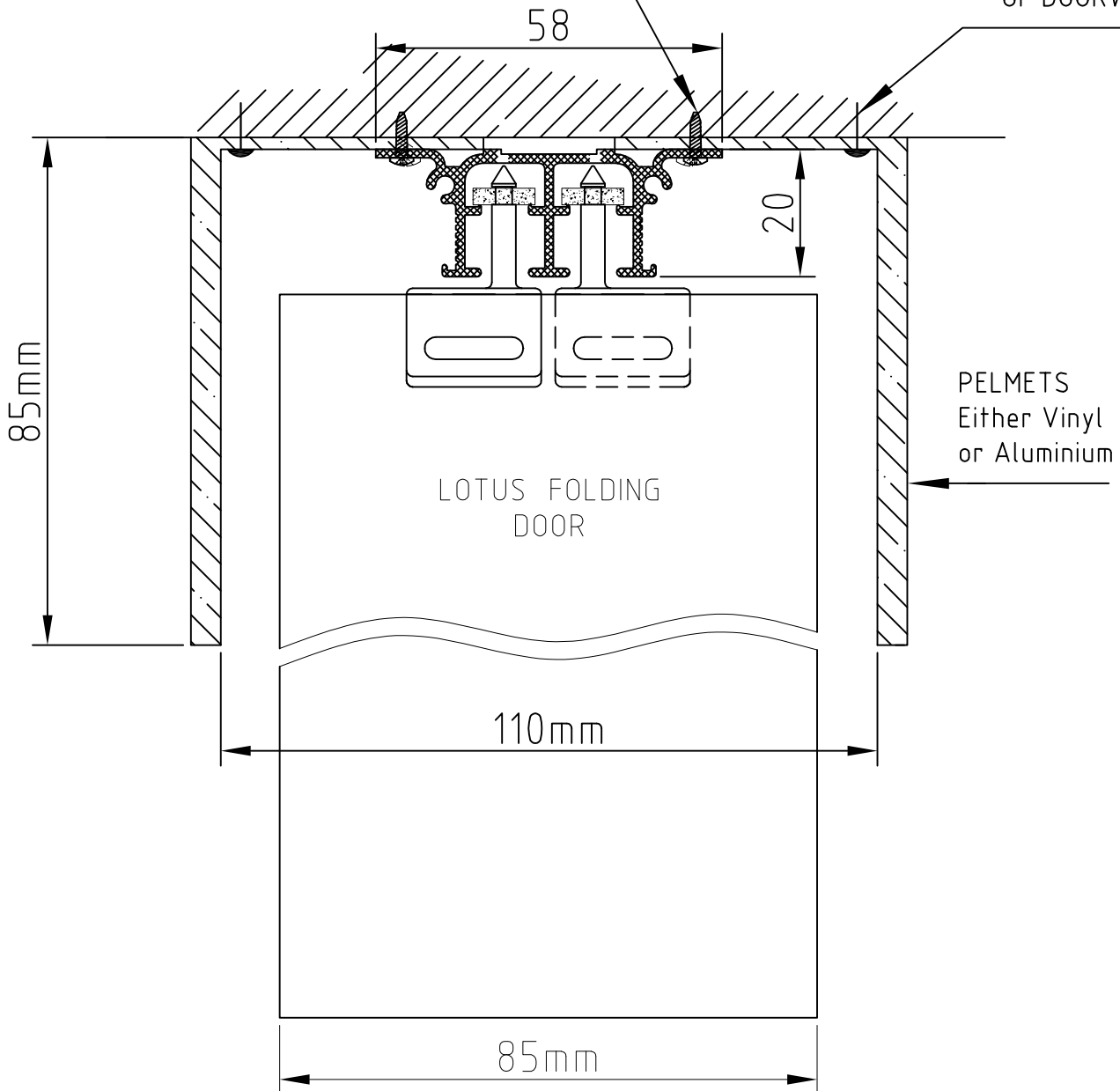
glas-STAX

operable walls

folding doors

METAL SCREWS 8gx $\frac{3}{4}$ " zp phi drive  
(2) ROWS EVERY 300mm

USE PINS TO  
FIX PELMETS  
TO UNDERSIDE  
OF DOORWAY



REV	REVISION REMARKS	DATE

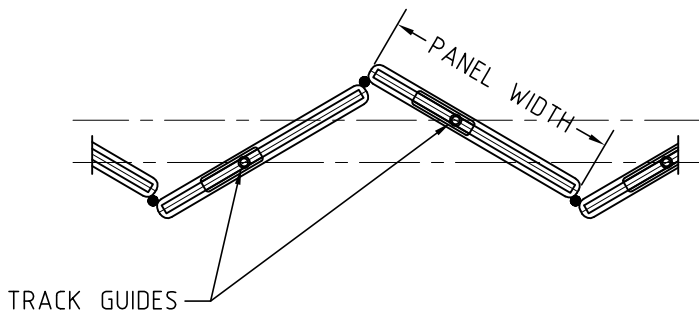
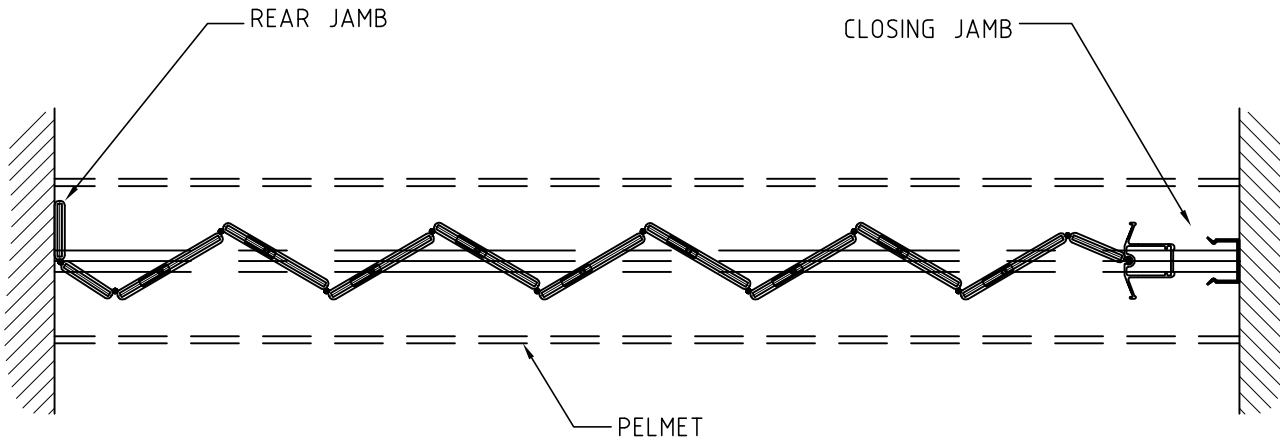
TITLE:  
**HEADWORK OPTION - Surface Mounted track**

PRODUCT: **FOLDING DOORS**

DRAWING NUMBER:  
**FV-0602**

SEQUENCE NUMBER:  
**2**

**LOTUS**  
[www.lotusdoors.com.au](http://www.lotusdoors.com.au)



PANEL WIDTH UP TO 3000mm HIGH = 85mm

REV	REVISION REMARKS	DATE

TITLE: **PLAN VIEWS SHEET 1 OF 2**

PRODUCT: **FOLDING DOORS**

DRAWING NUMBER: **FV-0603**

SEQUENCE NUMBER: **3**

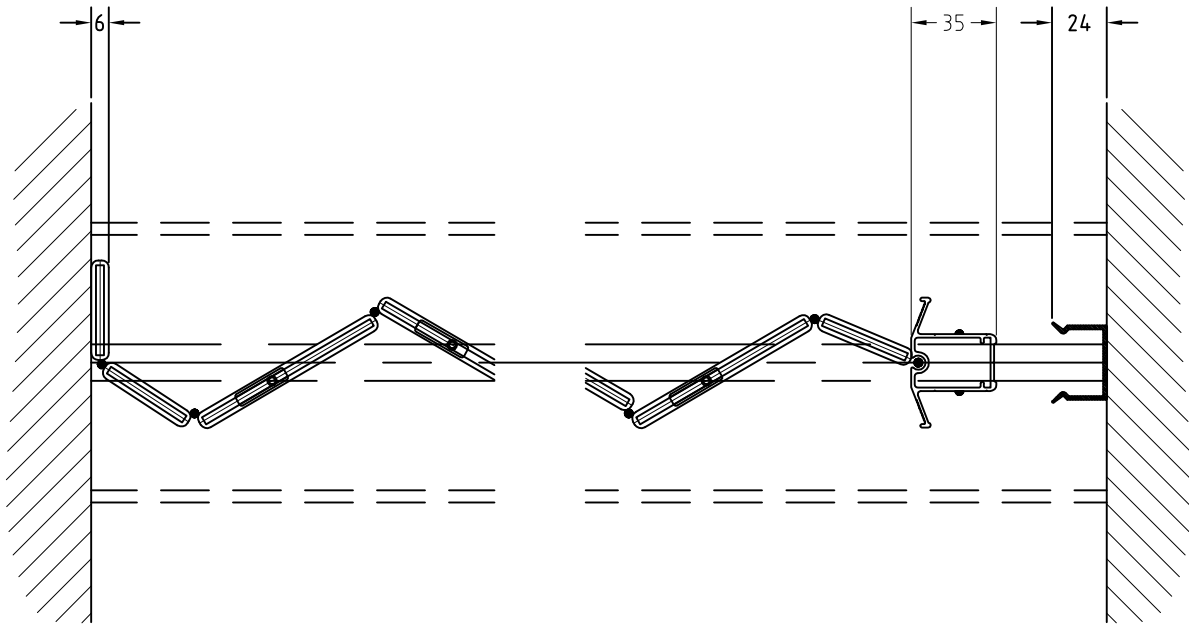
**LOTUS**  
www.lotusdoors.com.au



glas-STAX

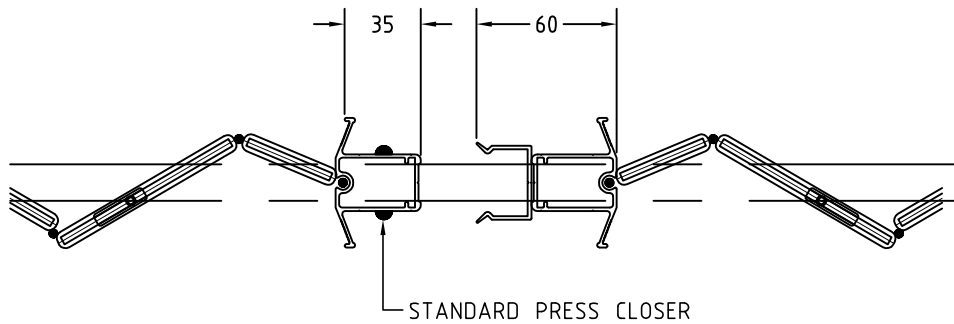
operable walls

folding doors



REAR JAMB

CLOSING JAMB



BIPARTING PAIR - CLOSING JAMBS

A	Dimension change	07-02-11
REV	REVISION REMARKS	DATE

TITLE: PLAN VIEWS - SHEET 2 OF 2

PRODUCT: FOLDING DOORS

DRAWING NUMBER: FV-0604

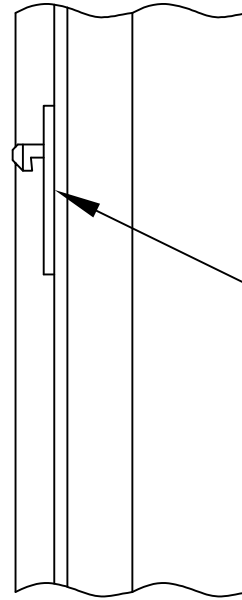
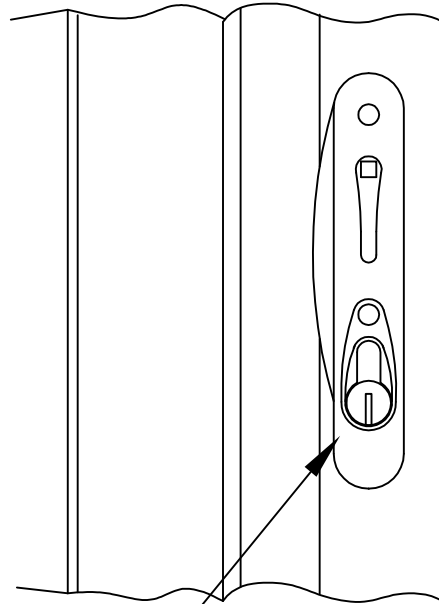
SEQUENCE NUMBER: 4

**LOTUS**  
www.lotusdoors.com.au

glas-STAX

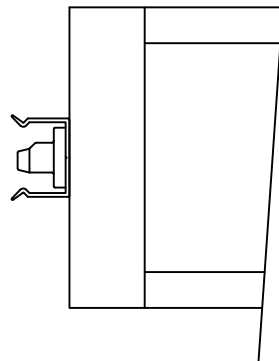
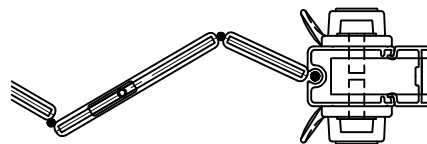
operable walls

folding doors



KEEPER CONTAINED WITHIN JAMB

OPTIONAL KEYLOCK



REV	REVISION REMARKS	DATE
A	Text change	07-02-11

TITLE: COMMERCIAL KEYLOCK

PRODUCT: FOLDING DOORS

DRAWING NUMBER: FV-0605

SEQUENCE NUMBER: 5

**LOTUS**  
www.lotusdoors.com.au



# LOTUS vinylcloth

